

APPENDIX A – SYSTEM DRAWINGS

Figure A-1. APS Alternative Fuel Pilot Plant Facility Plan View

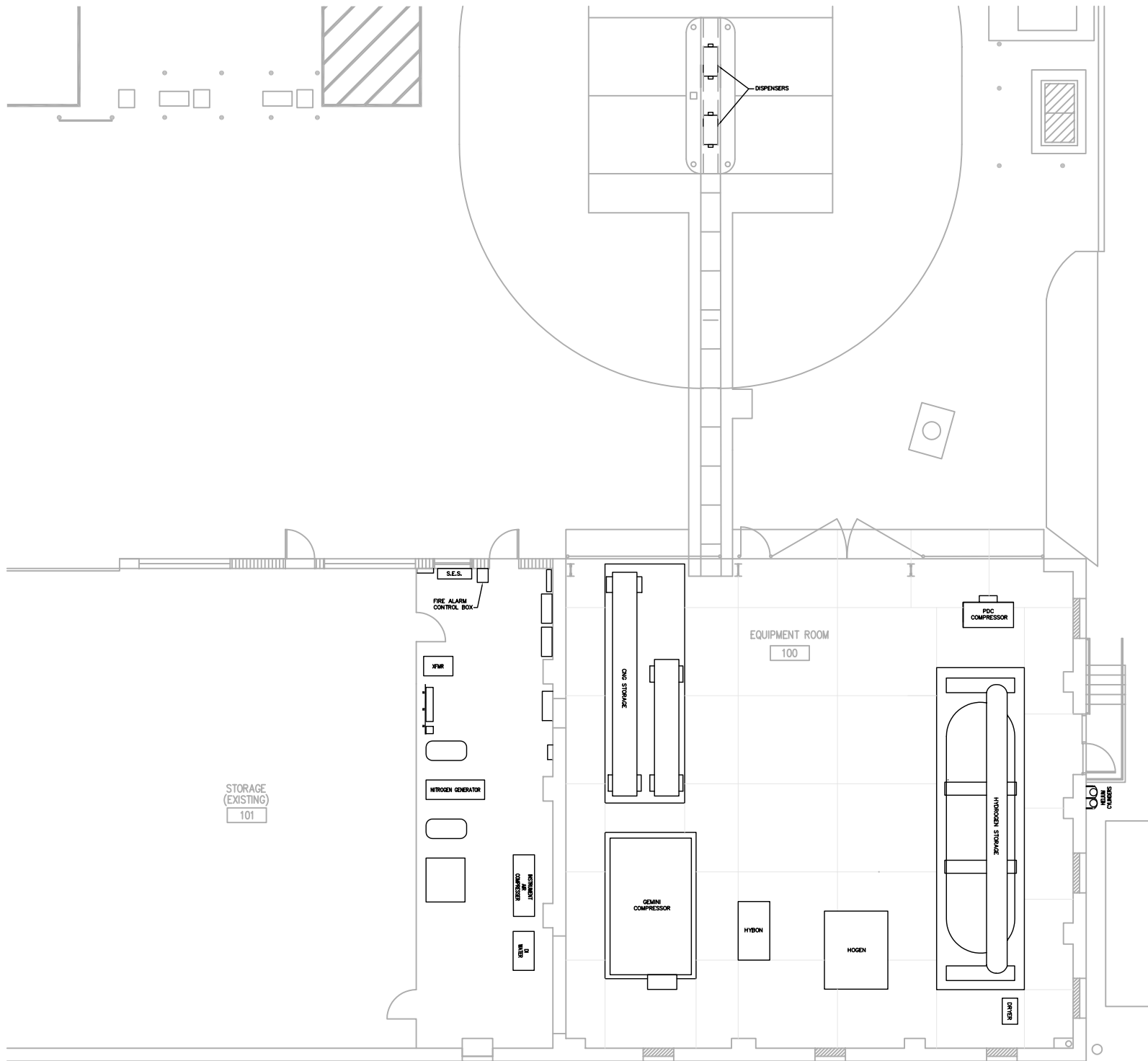
Figure A-2. APS Alternative Pilot Plant Production Equipment Plan

Figure A-3. APS Alternative Pilot Plant Production And Control Room Plan View

Figure A-4. APS Alternative Pilot Plant Production Hydrogen System Piping and Instrument Diagram

Figure A-5. APS Alternative Pilot Plant Production CNG System Piping and Instrument Diagram

Figure A-1. APS Alternative Fuel Pilot Plant Facility Plan View



REVISION 0	DATE 4/8/03
JOB NUMBER C0130	
DRAWN BY: A. TURNER	
CHECKED: S. McCAMMAN	

Contractor must verify all dimensions of project before proceeding with this work. Do not reproduce these drawings and specifications without the written consent of Pinnacle West. All drawings and specifications are instruments of service and project for which they are made to be accurate or not. These drawings and specifications are not to be used for any other project, for addition to this project, or for completion of this project by other means, without the written consent of Pinnacle West. Pinnacle West, a Capital Corporation.

ALTERNATIVE FUELS
PILOT PLANT FACILITY
NORTH EAST CORNER OF 2nd AV. & BUCHANAN
APS PHOENIX, ARIZONA



S1

Figure A-2. APS Alternative Pilot Plant Production Equipment Plan

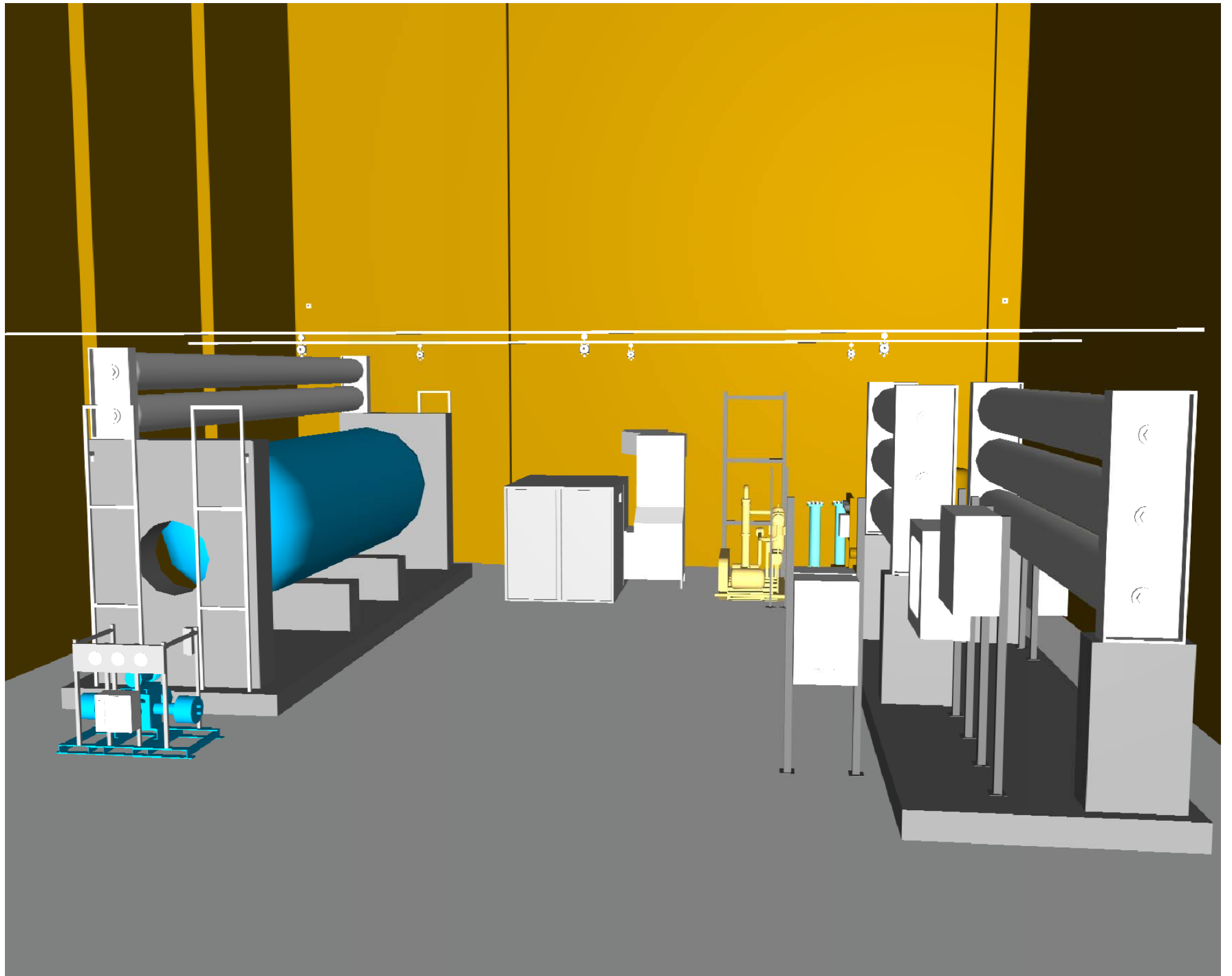


Figure A-3. APS Alternative Pilot Plant Production And Control Room Plan View

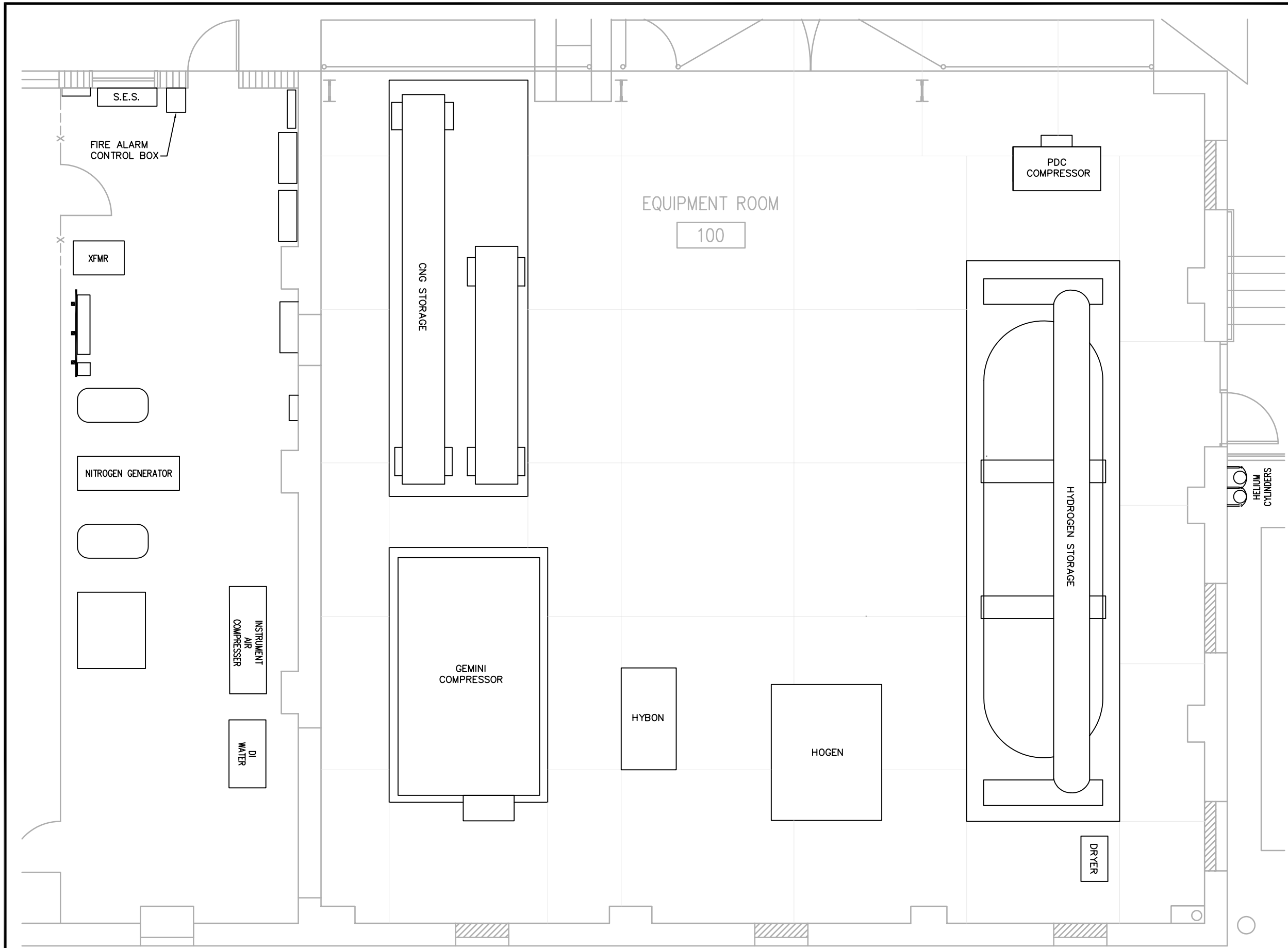
REVISION 0 DATE 4/8/03
 JOB NUMBER C0130
 DRAWN BY: A. TURNER
 CHECKED: S. McCAMMAN

Contractor must verify all dimensions at project before proceeding with this work. Do not proceed without the expressed written permission of Pinnacle West. The drawings and specifications are instruments of service and are not to be used for any other project, for construction or for any other purpose, without the expressed written permission of Pinnacle West. Pinnacle West: A CAPITAL CORPORATION

ALTERNATIVE FUELS PILOT PLANT FACILITY
 NORTH EAST CORNER OF 2nd AV. & BUCHANAN
 APS 507 SOUTH 2nd AV. CAMPUS,
 PHOENIX, ARIZONA



S2



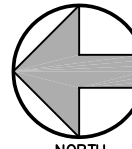
 **EQUIPMENT ROOM**
 SCALE: 1/8" = 1'-0"

Figure A-4. APS Alternative Pilot Plant Production Hydrogen System Piping and Instrument Diagram

BOYLE & ASSOCIATES
 4848 CANTERBURY DRIVE
 ENNAUS, PA 18049
 610.965.3208(PHONE)
 610.967.2420(FAX)

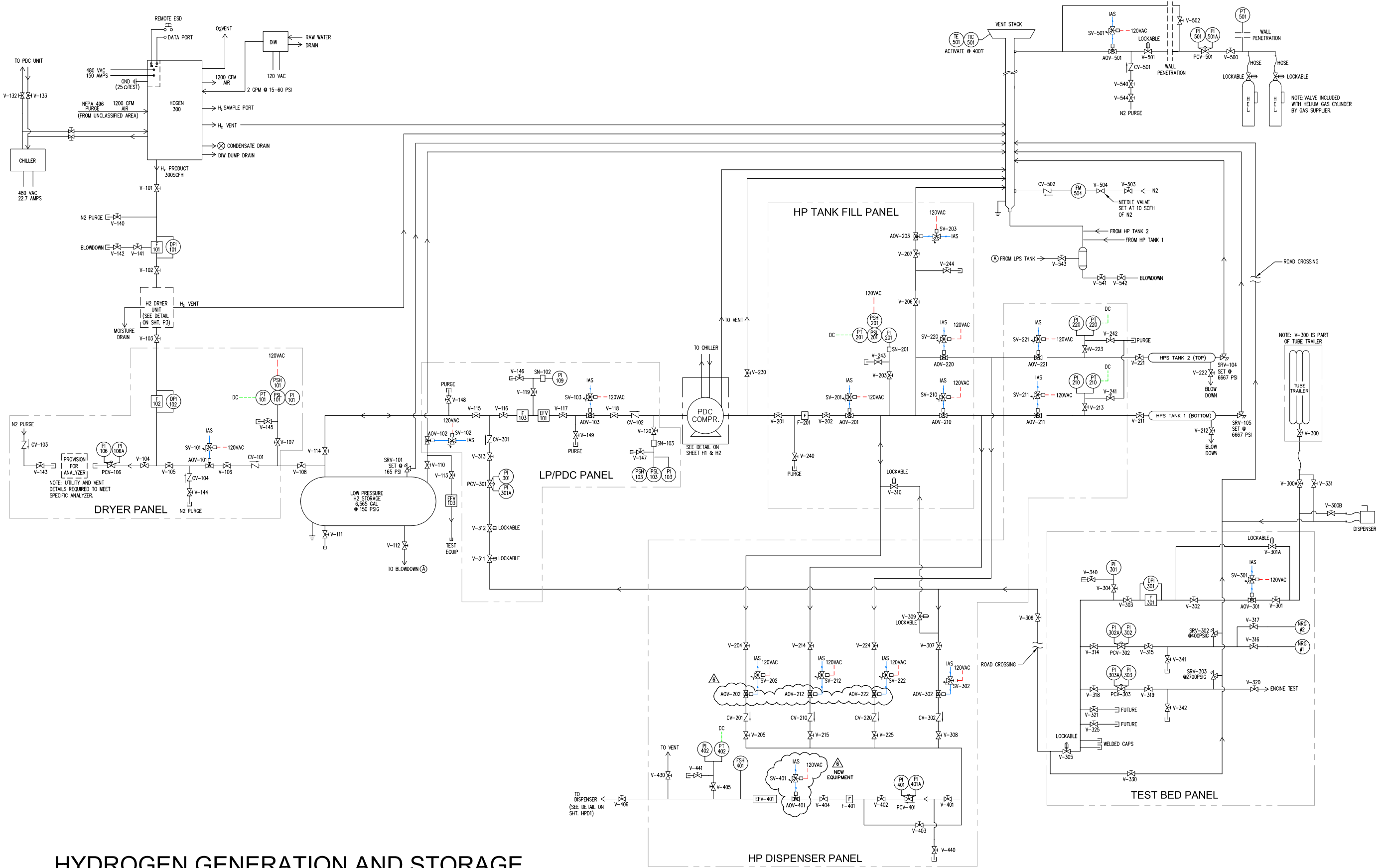
ALTERNATIVE FUELS
 PILOT PLANT

HYDROGEN GENERATION
 AND STORAGE

Pinnacle West
 CAPITAL CORPORATION



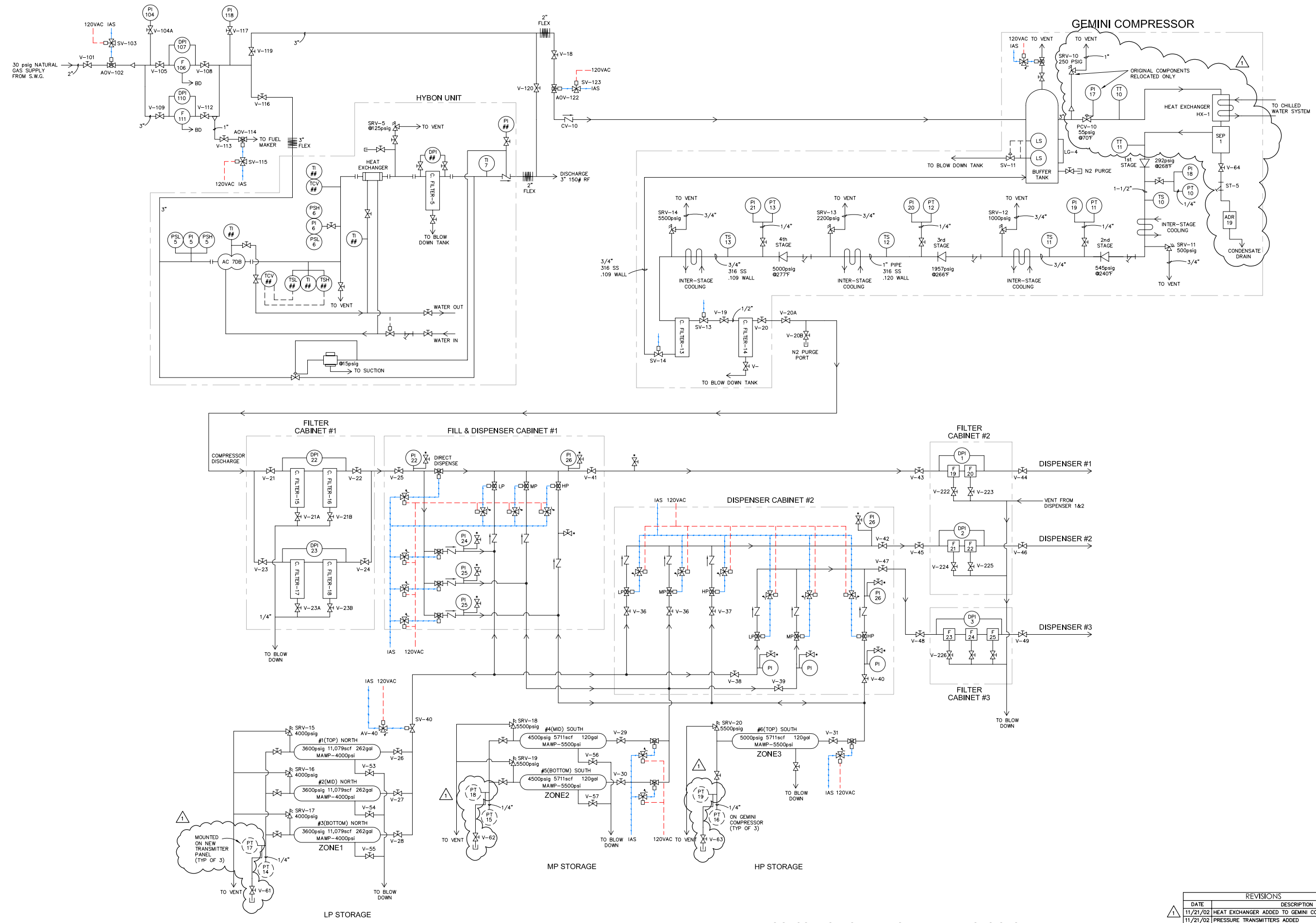
P1



HYDROGEN GENERATION AND STORAGE

REVISIONS	
DATE	DESCRIPTION
12/13/02	AOV-202,212,222 CHANGED, AOV & SV-401 ADDED
-	-
-	-
-	-
-	-

Figure A-5. APS Alternative Pilot Plant Production CNG System Piping and Instrument Diagram



PROCESS FLOW SHEET FOR NATURAL GAS SYSTEM

REVISIONS		
DATE	DESCRIPTION	
11/21/02	HEAT EXCHANGER ADDED TO GEMINI COMPRESSOR	
11/21/02	PRESSURE TRANSMITTERS ADDED	
-	-	-
-	-	-